

Specifications

PFB14/PFB16

Soaking Tub 60" x 30"



Product Features

- Enameled steel bathtub
- 60" x 30" x 14-1/4"
- 60" x 30" x 16-5/8" AFR
- Full-length tile flange
- PFB14 series has 40 degree lumbar support
- Standard and above floor rough-in
- High-gloss, stain-resistant porcelain finish
- Non-skid bottom surface
- Available in white, bone and biscuit
- Available with protective liner (white only)
- Weight: 78 lbs



PFB16R

Model Numbers

PFB14CR*	60" x 30" x 14-1/4" bathtub RH non-skid
PFB14CRAWH*	60" x 30" x 14-1/4" bathtub LH non-skid w/ protective liner
PFB14CL*	60" x 30" x 14-1/4" bathtub LH non-skid
PFB14CLAWH*	60" x 30" x 14-1/4" bathtub LH non-skid w/ protective liner
PFB16R	60" x 30" x 16-5/8" bathtub RH above floor RI
PFB16RAWH	60" x 30" x 16-5/8" bathtub RH AFR w/ protective liner
PFB16L	60" x 30" x 16-5/8" bathtub LH above floor RI
PFB16LAWH	60" x 30" x 16-5/8" bathtub LH AFR w/ protective liner

* Complies with ADA

Warranty and Codes

These products come complete with installation, operating, care and maintenance instructions. All PROFLO fixtures carry a 1-year limited warranty. These products meet or exceed ASME/ANSI A112.19.4M



FERGUSON.COM/PROFLO

Specifications

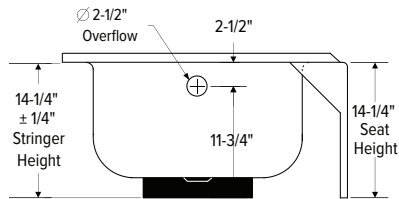
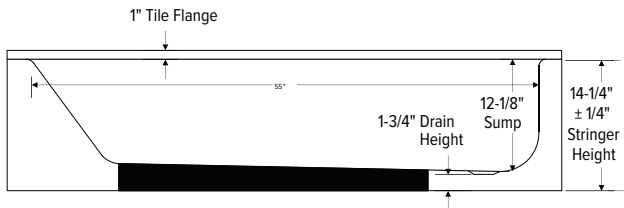
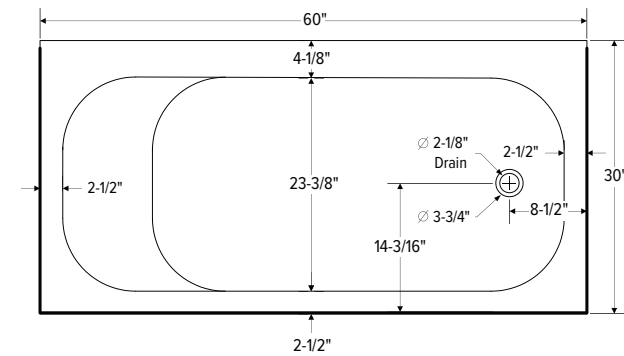
PFB14/PFB16

Soaking Tub 60"x30"



Product Specification

PFB14R/PFB14L
Standard rough-in



Product Specification

PFB16R/PFB16L
Above floor rough-in

